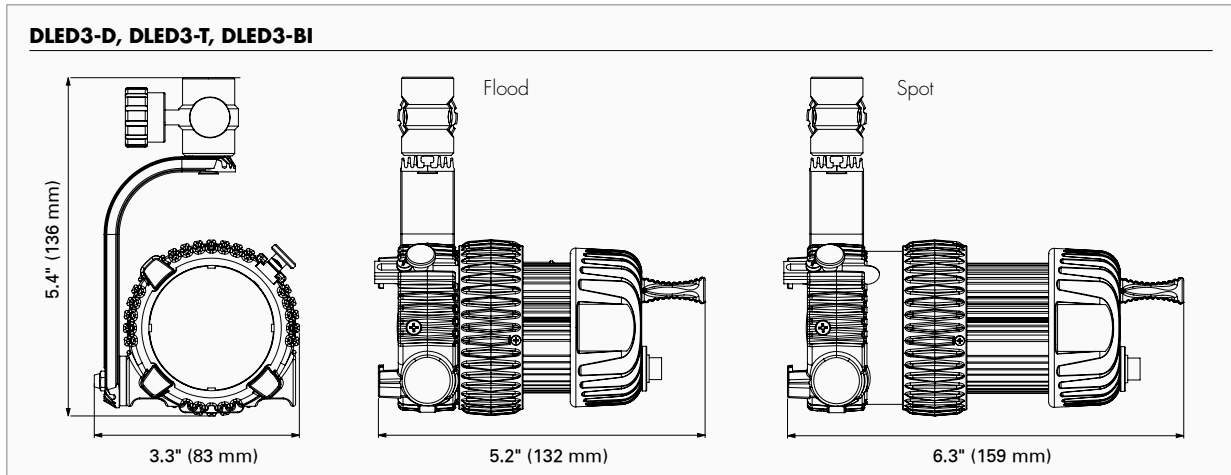


DLED3 TURBO TECHNICAL DATA



FOCUSING LED LIGHT HEAD: DLED3-D, DLED3-T, DLED3-BI	
Focus Range (Intensity Range)	50°-5° (1:7)
Focus Control	3/4 turn on focus ring
Power	Max. Power Consumption 40W. even for bi-color version, alternating between two 40W light sources.
Mounting	5/8" (16 mm) receptacle
Operating Position	Any
Tilt Control	Adjustable friction
Accessory Holder*	Ø 2.3" (58 mm)
Safety	Protection Class III, SELV, IP20
Cooling	Active Silent Cooling
UV	No UV radiation
Weight	1.8 lb (800g)
* for mounting the unique range of DLED3 front-end accessories	

DLED3-D Focusing LED Light Head. Daylight approx. 5600K						
Distance	Meter	1	2	3	4	5
	Feet	3'	6'	9'	12'	15'
Flood	Lux	1,350	338	150	84	54
	Foot Candle	126	31	14	8	5
Medium	Lux	2,511	629	279	156	100
	Foot Candle	237	58	26	15	9.3
Spot	Lux	16,500	4,125	1,833	1,031	660
	Foot Candle	1,534	383	170	96	61

DLED3-T Focusing LED Light Head. Tungsten approx. 3200K						
Distance	Meter	1	2	3	4	5
	Feet	3'	6'	9'	12'	15'
Flood	Lux	1,170	293	130	73	47
	Foot Candle	109	27	12	7	4.4
Medium	Lux	1,942	486	216	121	78
	Foot Candle	181	45	20	11.3	7.2
Spot	Lux	4,350	1,088	483	272	174
	Foot Candle	404	101	45	25	16.2

DLED3-BI Focusing LED Light Head. Bicolor measured at 5600K – daylight						
Color temperature continuously adjustable from 2700 – 6500K						
Distance	Meter	1	2	3	4	5
	Feet	3'	6'	9'	12'	15'
Flood	Lux	1,450	363	161	91	58
	Foot Candle	135	34	15	8.4	5.4
Medium	Lux	2,610	653	290	163	104
	Foot Candle	243	61	27	15.2	10
Spot	Lux	5,650	1,413	628	353	226
	Foot Candle	525	131	58	33	21
Bicolor in tungsten function ~ 15% lower output						